

NOTES:

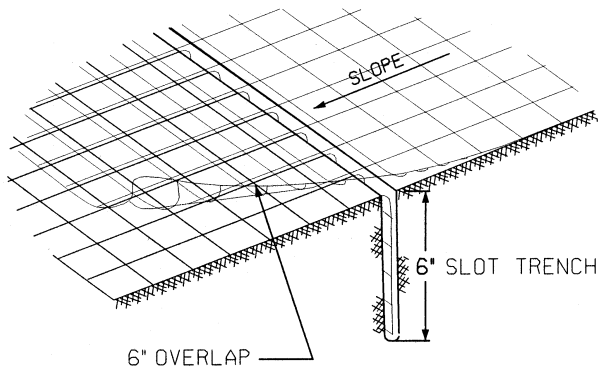
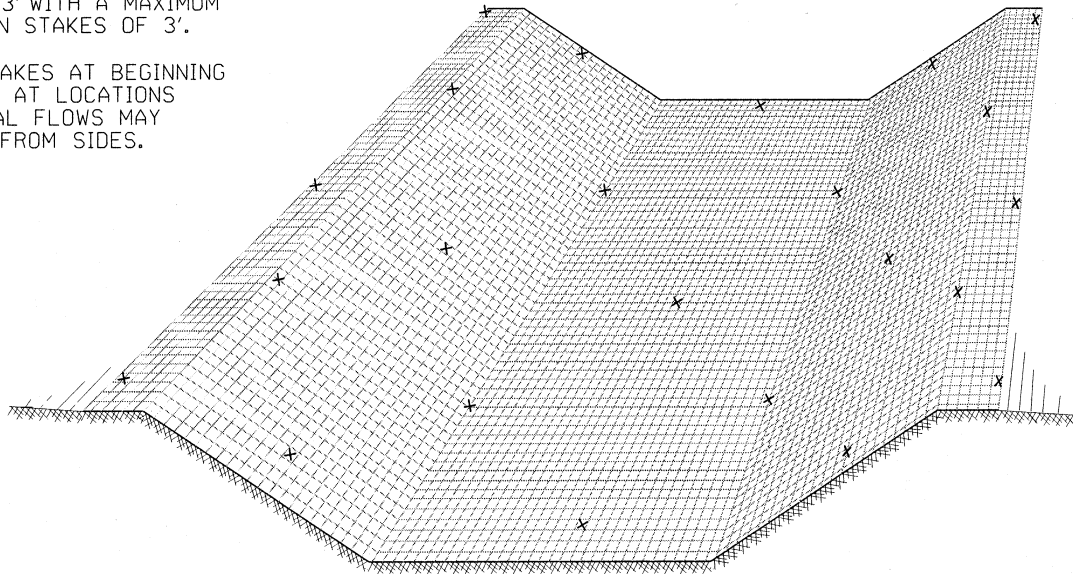
PLACE NETTING OVER SEED AND MULCH.

EXTEND NETTING AND MATTING BEYOND CHANNEL SIDE SLOPES.

MAXIMUM STAKE SPACING BETWEEN ROWS SHALL BE 3' WITH A MAXIMUM SPACING BETWEEN STAKES OF 3'.

PLACE EXTRA STAKES AT BEGINNING OF CHANNEL AND AT LOCATIONS WHERE ADDITIONAL FLOWS MAY ENTER CHANNEL FROM SIDES.

ISOMETRIC VIEW SHOWING PLACEMENT PATTERN OF WOOD OR METAL STAKES



ANCHORING AND OVERLAP DETAILS:

TRENCH NETTING 6" INTO GROUND AT BEGING AND AT 100 FT. INTERVALS PERPENDICULAR TO FLOW IN CHANNEL AS SHOWN. EDGE SPLICES ON SIDE SLOPES AND ON FLAT BOTTOM CHANNELS SHALL OVERLAP A MINIMUM OF 6", WITH THE UPSTREAM SECTION OVERLAPPING THE LOWER.

DO NOT PLACE SPLICES IN "V" BOTTOM CHANNELS. IN THESE SITUATIONS, CENTER THE NETTING OR MATTING OVER THE CENTERLINE OF THE DITCH.

MAINTENANCE:

INSPECT EROSION NETTING/MATTING PERIODICALLY AND AFTER RAIN EVENTS TO CHECK FOR FAILURES AND EROSION THAT MAY HAVE OCCURED. WHERE MULCH, NETTING OR MATTING HAS BEEN WASHED OUT, REGRADE ERODED AREA, RESEED AND REINSTALL EROSION CONTROL MEASURES. CONTINUE INSPECTIONS UNTIL VEGETATION IS FIRMLY ESTABLISHED.